

Reflecta Ceres S2



The Reflecta Ceres S2 model is an LCD projector with SVGA 800 x 600 resolution and a contrast of 400:1. The projector can illuminate images up to 289 cm wide thanks to its 1100 Ansi lumens. In room light, however, the image width should ideally be less than 193 cm. This model is no longer offered by Reflecta.

3 x 0,7" LCD TFT Panel
SVGA 4/3 Liquid Crystal Display

Projector	1100	356 Lux (bei 203 cm Screen)
Contrast	400:1 full on/off	400:1 full on/off
Black Level Offset	2,7500 min. Lumen	0.897 min. Lumen

Resolution
SVGA 800 x 600
480.000 Pixel

Video Modes
XGA 1024 x 768 compressed
PAL/SECAM/NTSC/NTSC 4.43

Application
Standard-Portabel | External training and company presentations, as well as product presentations.

Light Source
Small screen width, rooms with very little ambient light below 100 lumens.

Light Life
150W UHE Lamp

Light Life
-

Operating Costs
-

Focus
Manual

Zoom
Manual 1,25

Objective
F=1,7-2,0

Throw Ratio
-

Audio
1W RMS X 2

Connections
VGA (D-sub 15pins) X1, DVI X 1 Component Video X 1, S-Video X1A/V /RCA X3, Phone Jack X2, USB X1 Control (Centronics 8 pins) X1

Ceiling Mounting
-

Power
200W

Size WxHxD
295 x 100 x 195 mm (11,6"x3,9"x7,7") 5,75 L/dm³

Operating Noise
-

Weight
3,00 kg / 6,61 lbs.

Keystone
-

Illumination
85%

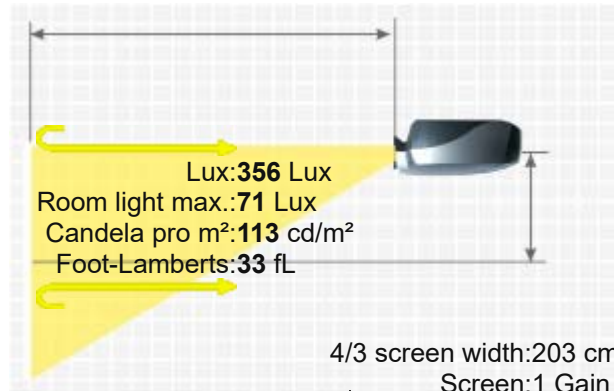
Frequenz
H-sync: 15-91 kHz
V-sync: 43-85 Hz

Foot-Lamberts
33 fL / max. 289 cm screen width
113 cd/m²

Features
■ Remote control with laser pointer

■ digital zoom 8:1

Status Data
- Discontinued (EOL) // Last update of the data: 2023-08-04





HCinema

<https://www.projector-database.com/pro/reflectaceress2-en.html>

More Details

Due to our ongoing commitment to continuously improve the quality of our projector database, this brochure is also subject to change without notice. HCinema is not responsible for any errors or omissions contained in product descriptions.