


Epson EMP 7100



A brief introduction to the Epson EMP 7100. The standard portable LCD projector has an XGA 1024 x 768 resolution and a contrast of 300:1. The projector can illuminate an image width of 222 cm well. However, if room light is available, the picture width should ideally not exceed 148 cm. The projector is no longer sold by the manufacturer. Unfortunately, we can no longer offer replacement lamps for this model, neither originals nor replicas.

 3 x LCD TFT Panel
XGA 4/3 Liquid Crystal Display

Projector	650	Screen	210 Lux (bei 203 cm Screen)
Contrast	300:1 full on/off		300:1 full on/off
Black Level Offset	2,1667 min. Lumen		0.707 min. Lumen

Resolution: XGA 1024 x 768
786.432 Pixel

Video Modes: PAL, PAL-M, PAL-N, SECAM, NTSC 3,58; NTSC 4,43 HDTV

Application: Standard-Portabel | External training and company presentations, as well as product presentations.
Small screen width, rooms with very little ambient light below 100 lumens.

Light Source: - Lamp
Articel Nr.: ELP LP04

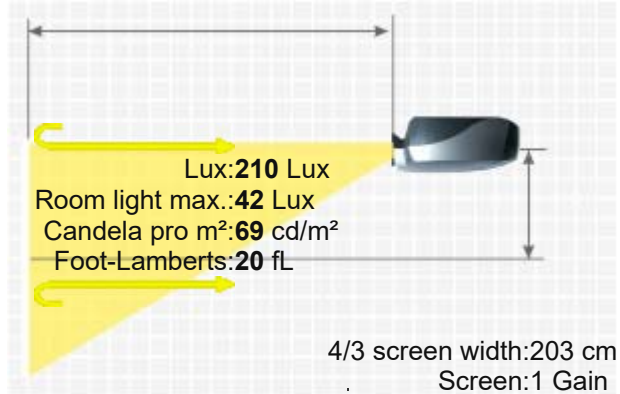
Light Life: 2000 h.

Operating Costs: -

Focus: Manual

Zoom: Manual 1,31

Objective: F=2,5-2,9 f=45-59 mm



Audio: 3D Stereo Spatializer®, 2W + 2W

Connections: PC Input: 2 x RGB D-Sub 15
PC Audio Input: 2 x 3,5 mm Stereo Mini Jack
Monitor output: 1 x RGB D Sub 15
Remote Input: 1 x 3,5 mm Stereo Mini Jack
Maus/Com Input: 2 x 13 Pin DIN
S-VHS Video Input: 1 x 4 Pin Mini DIN (Hosiden)
FBAS Video Input: 1 x Cinch
Audio Input: 2 x Cinch (Stereo)
Audio Output (PC/Video): 1 x 3,5 mm Mini Jack

Ceiling Mounting: Yes

Power: 260W

Size WxHxD: 245 x 159 x 380 mm (9,6"x6,3"x15") 14,8 L/dm³

Operating Noise: -

Weight: 6,70 kg / 14,77 lbs.

Keystone: -

Illumination: 85%

Brief Introduction

Display Type

Ansi-Lumen

Contrast

Black Level Offset

Resolution

Video Modes

Application

Light Source

Light Life

Operating Costs

Focus

Zoom

Objective

Throw Ratio

Audio

Connections

Ceiling Mounting

Power

Size WxHxD

Operating Noise

Weight

Keystone

Illumination

Frequenz	H-sync: 15-81 kHz V-sync: 50-85 Hz Range max.: 140 MHz
Foot-Lamberts	20 fL / max. 222 cm screen width 69 cd/m ²
Features	<ul style="list-style-type: none">■ Freeze■ Blank (Black screen button)■ Kensington Slot■ Gamma correction■ Remote control with mouse control
Optional	Lamp original ELPLP04 / V13H010L04 Remote control original 1033569
Status Data	Order here: https://www.hcinema.de/lampen/shop-en.php?id=1529 - Discontinued (EOL) // Last update of the data: 2023-08-04

More Details



<https://www.projector-database.com/pro/epsonemp7100-en.html>

Due to our ongoing commitment to continuously improve the quality of our projector database, this brochure is also subject to change without notice. HCinema is not responsible for any errors or omissions contained in product descriptions.