

J Series

Amusement

Arenas/Stadiums

Broadcast

Casinos

Corporate

Cruise ships

Energy

Government

Higher education

Home theater

Houses of worship

Large venue

Live events

Manufacturing

Medical training



Designed with your image in mind.

CHRISTIE[®]



- ▲ 13,200-22,000 center lumens
SXGA+ (1400 x 1050)
HD (1920 x 1080)
WU (1920 x 1200)
- ◀ View the Christie J Series video

- ▲ 7150-9350 center lumens
SXGA+ (1400 x 1050)
HD (1920 x 1080)



Reliability is in its genes. Performance is its genius.

Superior performance, high brightness and crisp, clear images – these are what you expect in a Christie 3-chip DLP® projector. We’ve taken these features, added even more, and wrapped them up in the most compact chassis in its class. Welcome to the Christie J Series. This series of Christie projectors couples the benefits of Xenon illumination – for the most natural color accuracy and stability – with the next level of technology, performance and flexibility.

Creating visually compelling displays is paramount to your success. That’s our business too, so we’ve made higher brightness, Christie Twist™, 3D upgradability and flexibility standard in this series. You’ll see we’ve upgraded our existing 3-chip DLP® platform with the features and functionality that you rely on to share, collaborate and create.

We’ve kept your bottom line in mind, as well. We’ve made sure that this new series can use existing lenses¹, lamps, input cards², stacking hardware and other Christie accessories.

The Christie J Series includes 2D and Mirage (3D-capable) models that are available in a broad range of brightness levels and resolutions. Whether your application is in broadcast, energy, entertainment, government, higher education, houses of worship, live events, manufacturing or medical, choose the model that fits your needs and budget, and know that all this is backed by Christie’s three year warranty and our industry-leading service and support.

^{1,2} See note on page 10.

Up to 22,000 lumens of Xenon brightness

You've told us how much you love Xenon technology and we think we know why. The continuous light quality, stable color temperature, excellent color reproduction and relatively little color shift give you eye-catching live displays, easily combat other light sources in the room and still wow your audiences time and again. That's reliability you can trust.

Available in brightness levels ranging from 6500 ANSI (7150 center) lumens through 20,000 ANSI (22,000 center) lumens and three resolutions, SXGA+ (1400 x 1050), HD (1920 x 1080) and WUXGA (1920 x 1200), each model offers more brightness per pound than the competition and ensures that your content can be shown in its native resolution, without scaling.

Advantages of Xenon lamps

Provides the highest level of on-screen performance, both for brightness and color accuracy

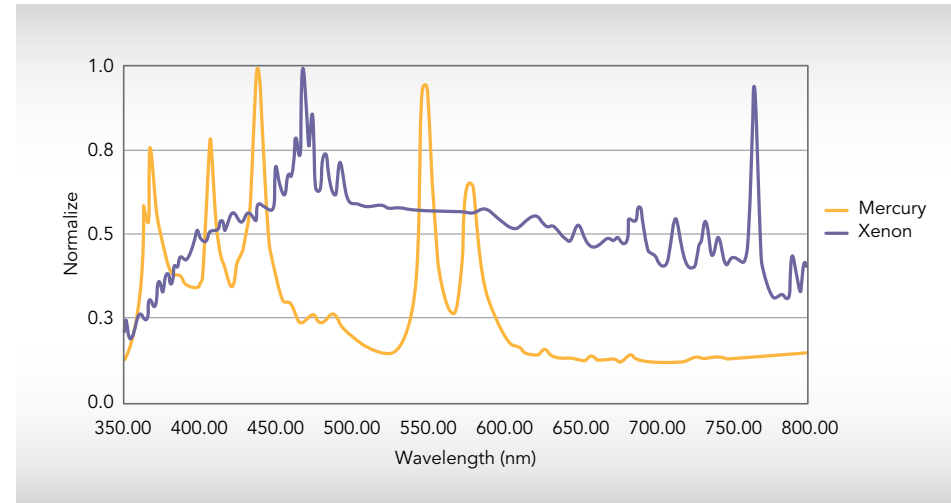
The spectrum of a Xenon lamp results in relatively little color shift over time

A Xenon lamp emits a continuous wavelength spectrum of light throughout the visible range (roughly 400 nm to 700 nm), which approximates the neutral white color of natural daylight

Reaches full brightness in far less time than other lamp technologies

Great for illuminating very large screens or high ambient environments

Xenon lamps have the best color rendering index (CRI) of any lamp technology out there



▲ Xenon vs high pressure Mercury lamps

Christie J Series models

Model	Center lumens	Resolution
Christie DS+8K-J	7500	SXGA+
Christie DS+10K-J	9350	SXGA+
Christie HD7K-J	7150	HD
Christie HD9K-J	8800	HD
Roadster S+14K-J	13,750	SXGA+
Roadster S+18K-J	17,600	SXGA+
Roadster S+22K-J	22,000	SXGA+
Roadster HD14K-J	13,200	HD
Roadster HD16K-J	15,400	HD
Roadster HD20K-J	20,000	HD
Roadster WU20K-J	20,000	WUXGA

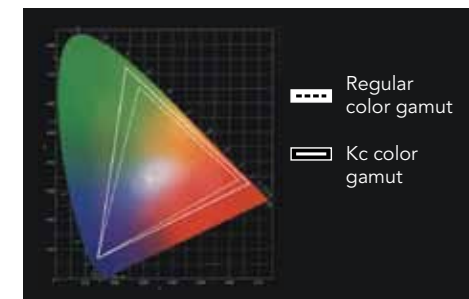
Only Xenon in its class

If you have a smaller screen or a smaller space and you still want outstanding color and brightness the Christie J Series will work for you. We offer the best color performance of any product in this market space.

Christie is the only manufacturer to offer Xenon models that provide less than 10,000 lumens. The 1.0kW and 1.2kW Cermax® lamps make it possible for us to provide models in the 7000- to 10,000-lumen category.

Yellow notch filter

Available as an optional feature for all Christie J Series models, the yellow notch filter is an optical color management device that emulates film-like color. It creates greater separation between the primary colors, RGB, resulting in a larger available color gamut for better reproduction of skin tones and richer color depth and saturation. This is especially apparent in green and red tones, resulting in a more life-like display on the screen. This color filter must be factory installed at time of purchase.



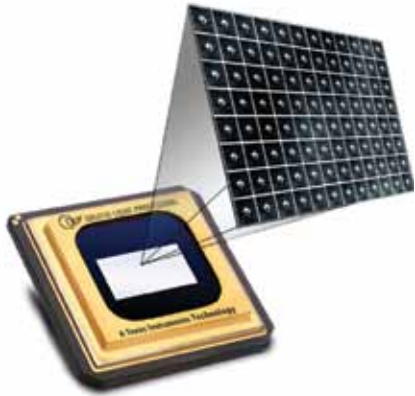
▲ Optional yellow notch filter is ideal for video applications



▲ Standard color gamut



▲ Expanded color gamut



▲ 3-chip DLP® technology

Crisp, clean images time and again

There are many factors that determine the quality of an image – 3-chip DLP technology, high-quality optics and world-class 10-bit image processing ensure you display the best image. You need all of these elements working together if you’re going to present clear, detailed, true to life images and information. The Christie J Series encompasses all of this and more. We’ve also added a dust-sealed engine and optics to help protect your investment and keep maintenance costs low. Liquid cooling and a thermal feedback system keep your projector at a temperature that ensures optimal performance.

Image quality

Based on 3-chip DLP® technology, high-quality optics and world-class 10-bit image processing, the Christie J Series delivers:

- High brightness
- Excellent color
- Excellent uniformity
- High reliability (>100,000 hours MTBF for DMD's)
- High contrast
- Excellent fill ratio

Dust-sealed engine

Christie J Series projectors can operate filter free because of dust-sealed engines and optics. Since dust and dirt cannot affect the system, and filters are not required, image quality is maintained and maintenance costs are lower. Optional fog juice filters are available for projectors exposed to harsh environments.



▲ Solomon Victory Theater National World War II Museum, New Orleans, LA

Liquid cooling

Roadster models are equipped with a thermal feedback system and a liquid cooling module for the DMD's to continually maintain the projector's temperatures in the correct operating range. This improves the overall DMD performance and reliability when used in harsh environments. It also enables the projector to operate in temperatures up to 104°F (40°C) allowing for use in less than ideal conditions.



▲ Liquid cooling

Taking performance to a new level

We've embedded powerful features such as Christie Twist and an Intelligent Lens System (ILS™), edge blending and color matching capabilities to ensure that set-up and maintenance of your displays are repeatable, quick and easy. Monitoring and controlling your displays from a distance are made simple with our ChristieNET™ web interface. And, when you're close to your projector our intuitive LCD keypad gives straightforward, easy access to manage your display. Additional hardware or software is no longer required; making your life easier.

The Christie J Series platform supports existing stacking hardware, lenses¹, input cards² and other Christie accessories (e.g. portrait lens adapter); as well, the new lamp modules for the Christie J Series can be used with legacy Xenon projector models. This keeps money in your pocket and your displays amazing audiences.

^{1,2} See note on page 10.



▲ Grammy award winner Alicia Keys' "As I Am" world tour

Embedded Christie Twist

Standard in all Christie J Series models, Christie Twist enables seamless white and black level edge blending of multiple curved images faster and more easily than through traditional, manual methods. Controlled by an easy-to-use GUI, you can expertly control and edge-blend or stack multiple curved images. As well, images can be warped to fit virtually any dimension or shape display. Embedded Christie Twist ensures that all J Series projectors work with value-added accessories, such as Christie AutoStack™.



▲ Easy-to-use GUI



▲ Easy-to-use GUI



▲ Image on curved screen – without blending



▲ Curved screen – with blending

"For a recent show, I needed to project onto a multi-dimensional stage with two double-stacked Christie Roadster projectors. I used one PC-based video server per projector to be able to fit the predesigned image and content onto the stage surface, as well as geometrical adjustments to each image independently in order to converge them all.

If Christie Twist had been installed in the projectors, I could have used two computers instead of four, had less image lag, and it would have been cheaper and faster to get the job done. I now see that it makes complete sense to have Christie Twist on every projector used in projection mapping displays because it makes set up easier, reduces the number of the video servers needed for the job and decreases the failure points of the whole system."

Bart Kresa
BARTKRESA design

Intelligent Lens System (ILS)

The ILS automatically recognizes and calibrates a lens when it is installed. Stepper motor-based encoding ensures that motor drift does not occur, as typically found with DC encoded motors, providing accurate and repeatable recall of all lens offset, zoom and focus positions. This lens system ensures that the images adjust to optimize screen coverage and maintain alignment in applications with moving screens or variable aspect ratios.





Analog input card

The Analog input card accepts an analog video signal input over a 5 BNC connector interface. It can accept RGBH&V signals over 5 connectors, as well as component YPbPr signals on the RGB inputs.



DMX512 interface card

This interface card supports the DMX512 communication standard through two 5-pin XLR connectors.



Dual link DVI input card

The Dual link DVI input card has a 15-pin VGA connector for analog signals and a DVI-I connector which can support a single- or dual link DVI HDCP video signal. The card can simultaneously support a digital signal on the DVI input and an analog signal on the VGA port.



Dual 3G SD/HD-SDI input card

The Dual 3G SD/HD-SDI input card accepts both standard-definition (SD) and high-definition (HD) serial-digital-interface (SDI) signals, and enables you to connect two of either types of signal. Both single-link HD and dual-link HD signals are accepted. This card also has two 3G SD/HD-SDI outputs to enable "loop-through" for its respective input.



Video decoder input card

The Video decoder input card accepts various types of standard definition (SD) video, including CVBS (composite video), S-video, and component. It accepts NTSC 3.58, NTSC 4.4, PAL, PAL-N, PAL-M or SECAM formats. This card has two mini-DIN connectors (for S-video signals) and four BNC connectors that can be grouped to allow combinations of CVBS, S-Video, YPrPb or RGB video sources.



Twin HDMI input card

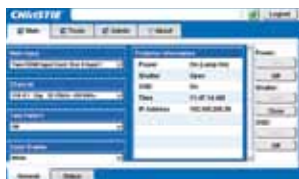
The Twin HDMI™ input card accepts two HDMI inputs and provides 12-bit deep color handling on the input. It also supports the HDMIv1.4a format required for 3D systems providing the projector is upgraded with 3D capabilities. Additionally, advanced loop-through allows any input on any input card to be looped through to the two HDMI outputs on the card.

Input cards

Each projector is equipped with four input card slots to ensure flexibility and compatibility with a variety of signals. The input cards used in Christie J Series projectors are also compatible with the Christie M Series models.



This functionality ensures that when stacking systems with any input (DVI, RGBHV or HDMI), the Twin HDMI card can be used to send the signal to a second projector. This stacked system is also a passive loop-through providing the repeater projector has AC power, even when powered off, the signal will continue to be looped out to the second projector.



▲ Main page controls and information



▲ Virtual On-Screen Display (OSD): access full menu structure, remotely



▲ Status and diagnostics: display alarm events for quick projector monitoring and diagnosis



▲ Admin screen includes upload, backup, restore and more

ChristieNET web interface and Virtual On-Screen Display (OSD)

ChristieNET enables users to access all projector menus and controls through a web interface without disrupting the live presentation. This allows for real-time adjustments and monitoring of each projector on the network – regardless of geographic location. It's easy to set up and maintain the projector system remotely. You don't need to see the screen to set up the system, making it ideal for applications where the screen is rigged or far away. The menus do not show on the projector screen so it won't be a distraction during live performances. A new status screen shows alarms, lamp info, or any system information. The easy-to-use interface lets you upload, backup and restore settings, as well as designate permission-based users.



▲ Intuitive, user-friendly keypad

LCD keypad

This easy-to-use LCD keypad includes:

Contextual menus provide a fully-featured, intuitive interface that removes the need for a cluttered keypad

Large, four line LCD display

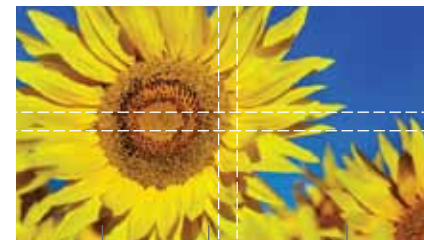
Adjustable brightness and timed LCD off mode

Intuitive, user-friendly keypad design that lights up when features are active

Active keys are color-coded amber to indicate that selections will result in changes visible to the audience

LiteLOC

The LiteLOC™ feature automatically manages your display's brightness levels over time so that you can match the brightness of a multiple projector system in tiled or blended arrays. This feedback system continuously monitors lamp brightness so that, as the lamp goes through its natural brightness decay, the system increases the lamp power in order to maintain consistent brightness.



Color matching Edge blending



Overlapping image edges

▲ Without edge blending

▲ With edge blending

Embedded edge blending and color matching

Advanced blending capabilities and Comprehensive Color Adjustment (CCA™) ensure digitally accurate color matching and uniformity across multi-screen blended or tiled images.



▲ Without LiteLOC



▲ With LiteLOC

Christie understands 3D

Today, a wide range of applications make use of 3D technology to provide a host of benefits – from decreased costs through virtual design prototyping, increased effectiveness while exploring oil deposits and wells, never-seen-before perspectives designed for medical and scientific research programs, or having fun at a theme park. But it's not just any 3D technology that has been used – only Christie has been there since the beginning. A true pioneer in the development of 3D projection technology, only Christie can offer the expertise that is needed for today's emerging 3D display applications.

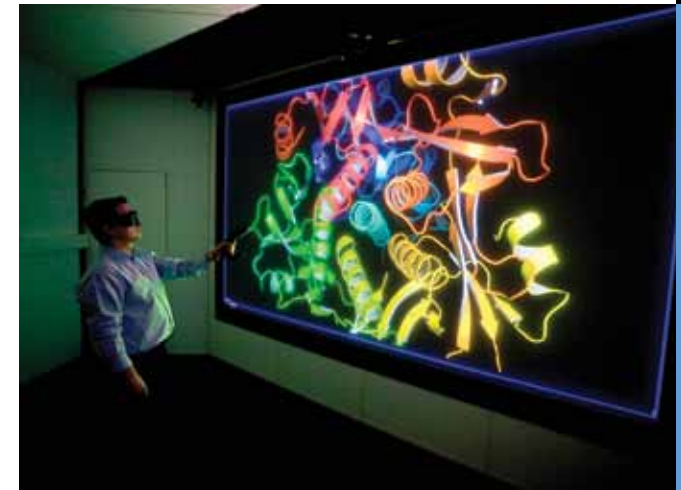
Our Christie Mirage J Series of 3D-capable projectors offer complete compatibility with today's 3D standards. They offer brightness levels ranging from 6500 ANSI (7150 center) lumens through 20,000 ANSI (22,000 center) lumens and contrast ratios that include SXGA+ (4:3), HD (16:9) and WUXGA (16:10). The projectors offer complete compatibility with today's 3D home entertainment requirements and are ready for Blu-ray 3D™ video, PS3 and other gaming consoles, meeting the mandatory 3D spec for HDMI v1.4a. To ensure your 3D solution is complete, Christie also offers a range of accessories that include, 3D glasses (active and passive), emitters and filters.



3D upgradable

Christie also makes it easy to future-proof your investment by being the first in the industry to offer upgrade paths for select 3-chip DLP® projectors to Mirage Series models. Whether you need 3D capability today or tomorrow, Christie has the innovation, breadth of technologies, engineering strength and the integration expertise to offer the right display solutions to fit your business needs.

	Description	Part number
3D upgrade kits	3D upgrade kit for Christie DS+8K-J	132-101103-XX
	3D upgrade kit for Christie S+14K-J	132-103105-XX
	3D upgrade kit for Christie S+18K-J	132-105107-XX
	3D upgrade kit for Christie S+22K-J	132-107109-XX
	3D upgrade kit for Christie HD7K-J	132-102104-XX
	3D upgrade kit for Christie HD14K-J	132-104106-XX
	3D upgrade kit for Christie HD16K-J	132-106108-XX
	3D upgrade kit for Christie HD20K-J	132-108100-XX
	3D upgrade kit for Christie WU20K-J	132-109101-XX



▲ University of Reims Champagne-Ardenne (URCA), 3D display used for scientific research and development

Benefits of 3D

- Provides perspective not possible with traditional 2D software and tools
- Reduces time to market
- Excites audiences... WOW! factor
- Accelerates understanding and decision-making
- Enables faster, more intuitive interaction with data
- Promotes collaboration and focus on collective strengths
- Ensures greater accuracy of concepts and designs
- Removes inherent boundaries found in traditional tools



Designed to work with you

Christie J Series is designed with many robust features that take some of the complexities out of your job. The easy-to-use lamp insertion mechanism lets you replace the lamp yourself quickly and easily. The portrait display adapter gives you the option to create displays in portrait orientation with 1.0kW or 1.2kW models, while the Roadster models have built-in portrait capabilities. Even if you have existing rigging and stacking mounts, lenses¹, lamps, input cards², stacking hardware and other Christie accessories you can use them with the Christie J Series.



▲ Optional portrait display adapter



▲ Roadster models have built-in portrait capabilities



▲ Stack projectors for redundancy or additional brightness



▲ Stacking kit

Rigging and stacking

Christie's stacking kit enables you to stack up to a maximum of three of the projectors (equipped with a 1.0kW or 1.2kW lamp) into a light-weight, sturdy frame. Customers with existing stacking mounts and hardware can use the same equipment with Christie J Series models. This means that you can effortlessly stack a Roadster S+20K with a Roadster S+22K-J, for example.

Hybrid stack

The stacking frame can also connect to the integral rigging points on any Roadster model for a hybrid stack with a model that uses a 1.0kW or 1.2kW lamp. Adjustable mount wheels aid in projector alignment.

Portrait capabilities

Christie 3-chip DLP® projectors offer the flexibility to project in portrait orientation. For models using a 1.0kW or 1.2kW lamp, the portrait display adapter makes the change in orientation easy. The adapter attaches to the projector's lens and enables you to project the image in portrait orientation instead of landscape. Roadster models have built-in portrait capabilities and do not require the portrait display adapter.

Setup lights

Roadster models include 'convenience lights' that allow for easy set up in dark environments.

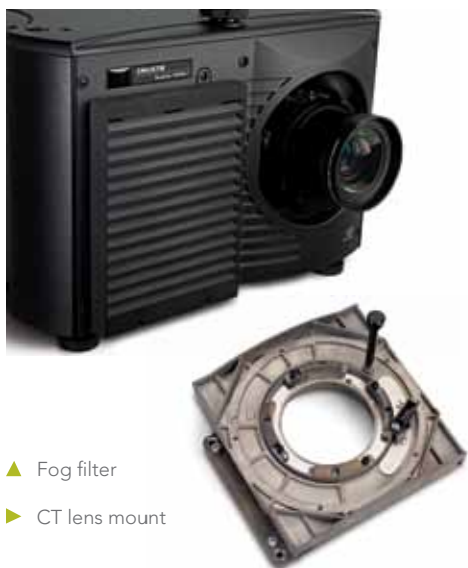


Bare bulb replacement

Reduce your cost of ownership by replacing only the bulb – not the entire lamp module assembly.



▲ Easy-to-use lamp insertion mechanism



▲ Fog filter

▶ CT lens mount

Legacy compatibility

Lenses	The ILS lens adapter kit enables you to convert your existing CT ¹ lenses to function with Christie J Series projectors. The conversion kit includes complete instructions and allows you to make the change in the field. Christie J Series models can be shipped with a CT ¹ lens mount option (must be specified at time of purchase) to allow you to continue using existing CT lenses.
Lamps	Legacy Xenon lamp modules are compatible with the Christie J Series projectors, but lamp hour tracking functionality will not be enabled. The new lamp modules for the Christie J Series will also work with legacy Xenon models e.g. 1.0kW lamp for a Christie DS+8K-J projector can be used in a Christie DS+6K projector. These lamp modules, with lamp memory cards, contain a serial number and hours of use information to make inventory and usage tracking quick and easy in all Christie J Series projectors. Lamp hour tracking capabilities are not enabled in legacy models.
Input cards	The input cards ² used in Christie M Series projectors are also compatible with Christie J Series models.
Rigging and stacking	Customers with existing stacking mounts and hardware can use the same equipment with the Christie J Series models.

Fog filter options

To help extend the life of your projector and protect your investment, optional fog juice filters are available for environments that require more than the protection of our dust-sealed engine.

The design of the fog juice filter kits – attached to the projector – reduces the affects of the oil or juice created by fog, smoke, hazers and pyrotechnics. These kits include easy-to-install external media mounts and one set of filters (internal and external). The life of the filters depends on the amount of bi-product captured, but they typically can last up to 20 hours.

Serviceability and support

All Christie 3-chip DLP® projectors ship standard with a three year warranty on parts and labor (including light engine).

Environmental commitment

We recognize our responsibility to control the impact our business activities, products and services have on the environment. We're fully committed to finding and using environmentally friendly solutions, and to meeting or exceeding applicable laws, regulations and organizational objectives. You'll notice that the Christie J Series includes features that support our commitment to being eco-friendly. As an industry leader, we are committed to the prevention of pollution and continual improvement through implementation of our ISO14001 registered environmental management system.

Efficiency

The lamps used in Christie J Series projectors produce the highest lumens per watt, enabling brighter images without additional power requirements. As well, liquid cooling with the thermal feedback system in the Roadster models, improves performance and enables the projectors

to run cooler in harsh environments, using less power to keep the DMDs cool. DLP® projectors offer higher brightness from smaller units and consequently use less power to achieve the same levels of brightness.

Auto shut-off and eco mode

Reduce your cost of ownership by reducing power consumption and extending lamp life when the projector isn't being used. These projectors can run in eco mode, which reduces brightness and therefore reduces your power requirements and extends the life of your lamp. A reduction in the projector's thermal output minimizes energy use and possible air-conditioning needs.

Low power standby modes

Standby power consumption (phantom power draw) is less than 30W.

Bare bulb replacement

You can replace lamps instead of the entire lamp module assembly, reducing unnecessary waste and extra shipping requirements.



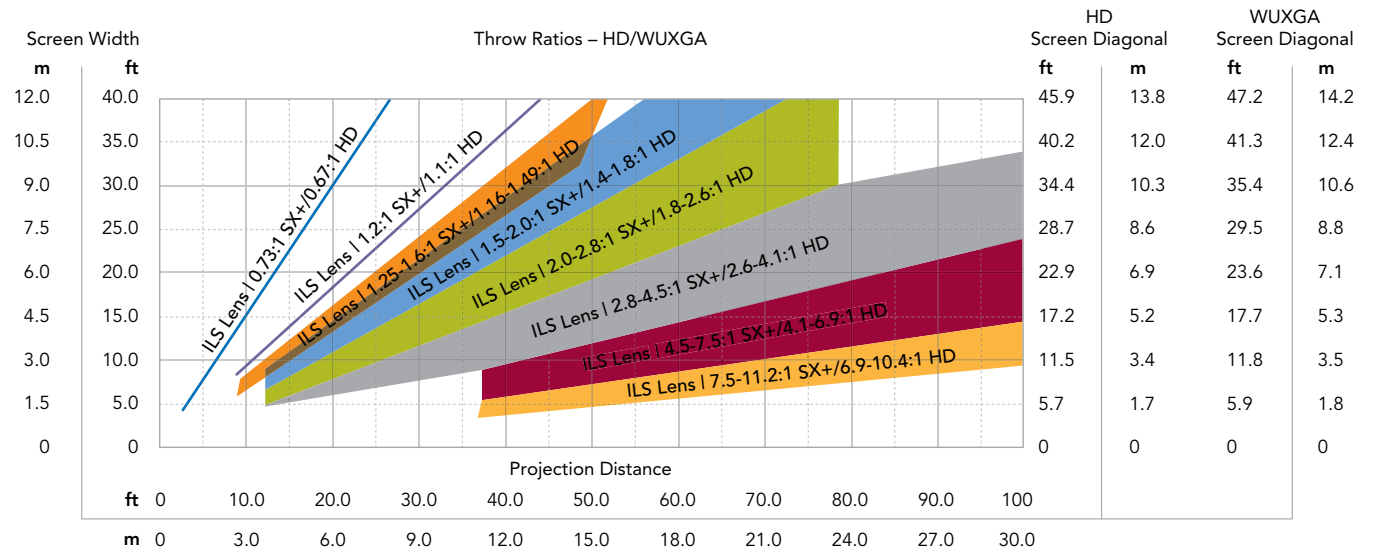
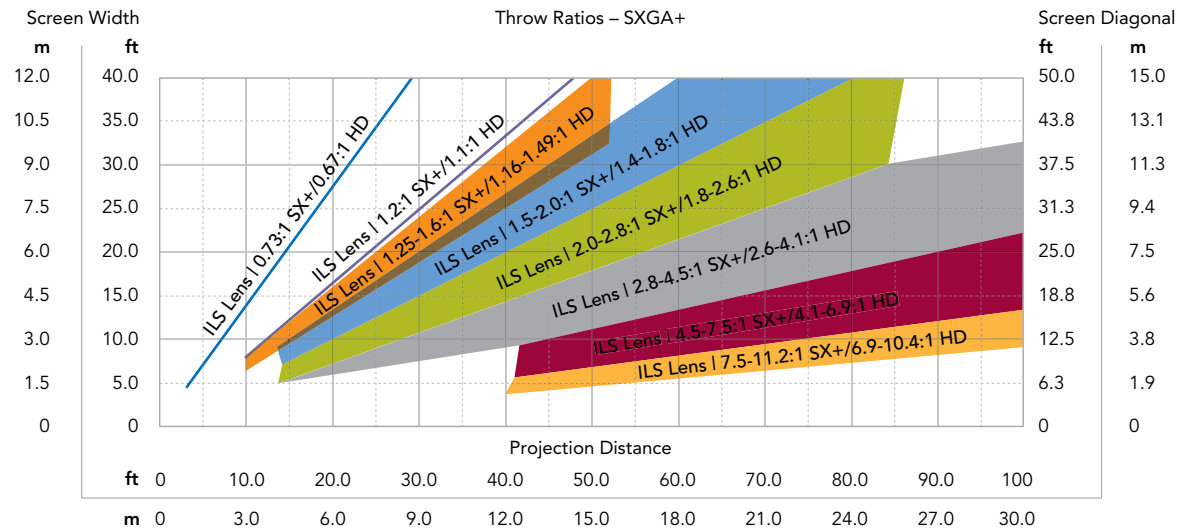
¹CT refers to the suite of lenses available for use with Christie's legacy Xenon platform. Note: ILS capabilities are not available with CT lenses and lens mount.

²Legacy input cards are not compatible with J Series models.

Expanded lens suite

This full suite of fixed, short zoom and long zoom lenses for SXGA+, HD and WUXGA resolutions, provides the broadest range of lenses in this marketplace.

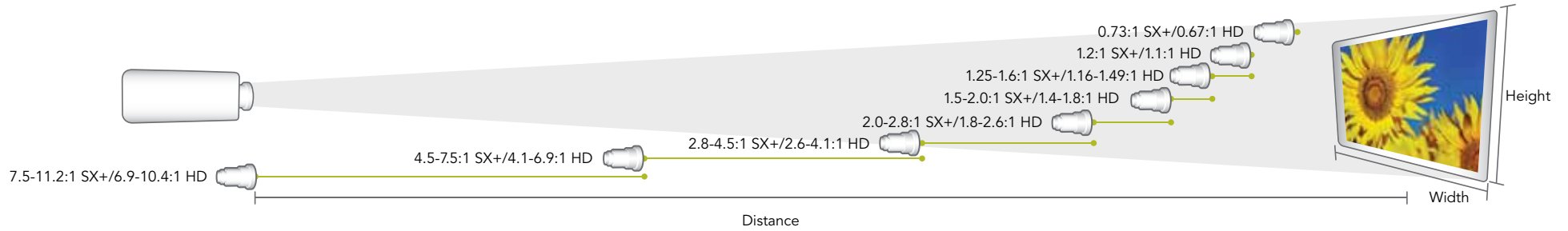
Lenses	Part number
ILS Lens 0.73:1 SX+/0.67:1 HD	118-100110-XX
ILS Lens 1.2:1 SX+/1.1:1 HD	118-100117-XX
ILS Lens 1.25-1.6:1 SX+/1.16-1.49:1 HD	118-100111-XX
ILS Lens 1.5-2.0:1 SX+/1.4-1.8:1 HD	118-100112-XX
ILS Lens 2.0-2.8:1 SX+/1.8-2.6:1 HD	118-100113-XX
ILS Lens 2.8-4.5:1 SX+/2.6-4.1:1 HD	118-100114-XX
ILS Lens 4.5-7.5:1 SX+/4.1-6.9:1 HD	118-100115-XX
ILS Lens 7.5-11.2:1 SX+/6.9-10.4:1 HD	118-100116-XX



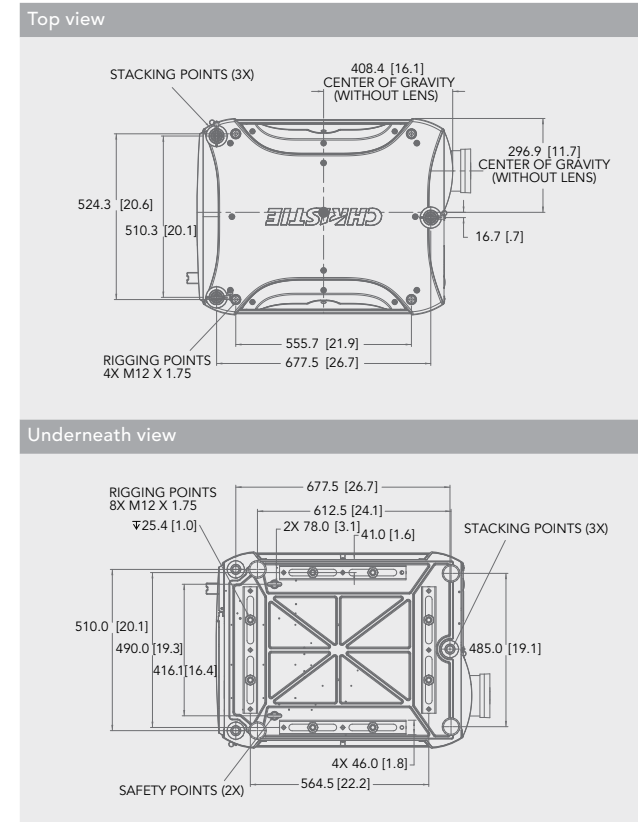
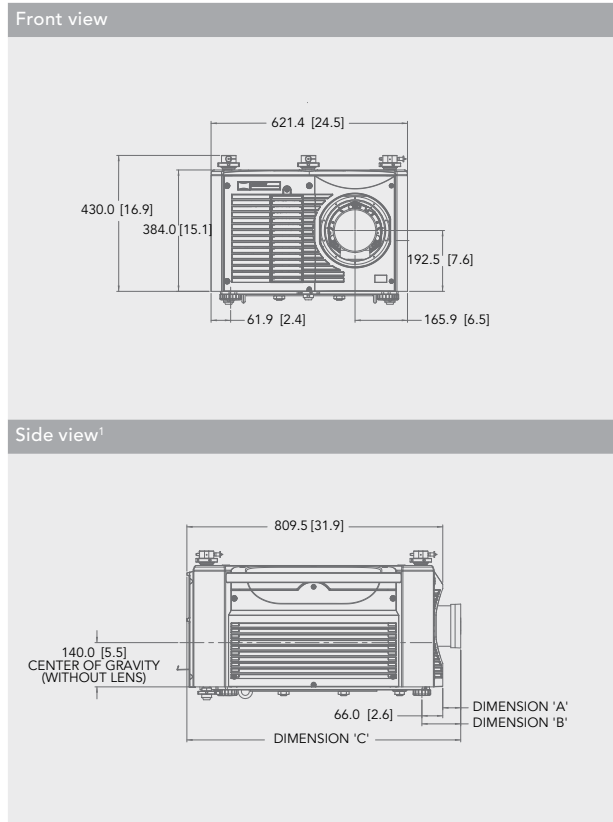
Throw distance values are subject to a +/- 5% lens tolerance.

		DS+8K-J	DS+10K-J	HD7K-J	HD9K-J	Roadster S+14K-J	Roadster S+18K-J	Roadster S+22K-J	Roadster HD14K-J
Image	brightness	• 6800 ANSI (7500 center) lumens @ 220V • 5100 ANSI I (5610 center) lumens @ 110V	• 8500 ANSI lumens (9350 center lumens)	• 6200 ANSI (6850 center) lumens @ 220V • 4650 ANSI (5100 center) lumens @ 110V	• 8000 ANSI lumens (8800 center lumens)	• 12,500 ANSI lumens (13,750 center lumens)	• 16,000 ANSI lumens (17,600 center lumens)	• 20,000 ANSI lumens (22,000 center lumens)	• 12,000 ANSI lumens (13,200 center lumens)
	contrast	• 1600-2000:1 full field 650:1 ANSI							
	uniformity	• 90% brightness uniformity			• 80% brightness uniformity		• 90% brightness uniformity		• 80% brightness uniformity
Display technology	type	• 3-chip 0.95" DMD			• 3-chip 0.94" DMD		• 3-chip 0.95" DMD		• 3-chip 0.94" DMD
	native resolution	• SXGA+ (1400 x 1050)			• HD (1920 x 1080)		• SXGA+ (1400 x 1050)		• HD (1920 x 1080)
Lamp	type	• 1kW Cermax® Xenon pre-aligned lamp module	• 1.2kW Cermax® Xenon pre-aligned lamp module	• 1kW Cermax® Xenon pre-aligned lamp module	• 1.2kW Cermax® Xenon pre-aligned lamp module	• 2.0kW Xenon Bubble Lamp Module	• 2.4kW Xenon Bubble Lamp Module	• 3.0kW Xenon Bubble Lamp Module	• 2.0kW Xenon Bubble Lamp Module
	estimated life	• 1500 hrs	• 1500 hrs	• 1500 hrs	• 1500 hrs	• 1000 hrs	• 750 hrs	• 750 hrs	• 1000 hrs
Input	standard	• Analog, Dual link DVI				• Analog, Dual link DVI, 3G SD/HD-SDI, Video Decoder			
	optional	• Analog, Dual link DVI, 3G SD/HD-SDI, Video Decoder, Twin HDMI							
	signals	• HDTV formats VGA through to QXGA (2048 x 1536) • Accepts all current HDTV/DTV formats • Multi-standard video decoder • Horizontal and vertical scaling, all inputs							
	pixel clock	• 165 MHz							
	scan rates	• Horizontal: 15-120kHz • Vertical: 23.97-150Hz							
Control and networking	• RS232 in/out • RS422 in • Ethernet (10/100) • USB Device • GPIO (RS232 9 Pin male connector) • Built-in backlit LCD keypad • Remote control (with optional wired XLR connection)								
Lenses	fixed	• ILS Lens 0.73:1 SX+/0.67:1 HD* • ILS Lens 1.2:1 SX+/1.1:1 HD							
	zoom	• ILS Lens 1.25-1.6:1 SX+/1.16-1.49:1 HD** • ILS Lens 1.5-2.0:1 SX+/1.4-1.8:1 HD • ILS Lens 2.0-2.8:1 SX+/1.8-2.6:1 HD • ILS Lens 2.8-4.5:1 SX+/2.6-4.1:1 HD • ILS Lens 4.5-7.5:1 SX+/4.1-6.9:1 HD • ILS Lens 7.5-11.2:1 SX+/6.9-10.4:1 HD							
	offsets	• ±100% Vertical • ±50% Horizontal • (* ±23%V ±13%H) • (** ±70%V ±45%H)			• ±120% Vertical • ±42% Horizontal • (* ±35%V ±12%H) • (** ±100%V ±40%H)		• ±100% Vertical • ±50% Horizontal • (* ±23%V ±13%H) • (** ±70%V ±45%H)		• ±120% Vertical • ±42% Horizontal • (* ±35%V ±12%H) • (** ±100%V ±40%H)
Accessories	standard	• IR remote • Line cord							
	optional	• Analog input card • Dual link DVI input card • Video decoder input card • Dual 3G SD/HD-SDI input card • Twin HDMI input card • DMX512 interface card • ILS lens adapter kit • Portrait display adapter (1.0kW and 2.0kW models only) • CT lens mount • Yellow notch filter • Fog juice filters (Roadster models only) • Ceiling mount • Ceiling mount extension • Stacking kit (1.0kW and 2.0kW models only) • Edge blending kit • Remote IR sensor • Bulb alignment tool • Christie AutoStack™ • 3D upgrade kits ¹							
Enhanced feature sets	• Embedded Christie Twist • Embedded image tiling • Intelligent Lens System (ILS) • 3D upgradable ¹ • Advanced block artifact reduction • ChristieNET Web interface • User-friendly, intuitive LCD keypad • Advanced loop-through twin HDMI card • Lamp memory module • User-replaceable lamps • Advanced, 10-bit processing • Automatic shut-off and ECO mode • Dust-sealed light engine • SNMP (simple network management protocol) • DHCP (dynamic host configuration protocol) • 24/7 operation • Hybrid stack • Compatibility with existing accessories					• Embedded Christie Twist • Embedded image tiling • Intelligent Lens System (ILS) • 3D upgradable • Advanced block artifact reduction • ChristieNET Web interface • User-friendly, intuitive LCD keypad • Advanced loop-through twin HDMI card • Lamp memory module • User-replaceable lamps • Advanced, 10-bit processing • Automatic shut-off and ECO mode • Dust-sealed light engine • SNMP (simple network management protocol) • DHCP (dynamic host configuration protocol) • 24/7 operation • Liquid cooling • Setup lights • Hybrid stack • Compatibility with existing accessories • Built-in portrait capabilities			
Power requirements (Dual lamp mode)	operating voltage	• 100-240 VAC @ 50/60Hz	• 200-240 VAC @ 50/60Hz	• 100-240 VAC @ 50/60Hz	• 200-240 VAC @ 50/60Hz	• 200-240 VAC @ 50/60Hz			
	maximum operating current	• 12A @100V	• 10A @200V	• 12A @100V	• 10A @200V	• 14A @200V	• 16A @200V	• 20A @200V	• 14A @200V
	power	• 1200W	• 2000W	• 1200W	• 2000W	• 2800W	• 3200W	• 4000W	• 2800W
	dissipation	• 4100 BTU/hr	• 6830 BTU/hr	• 4100 BTU/hr	• 6830 BTU/hr	• 9560 BTU/hr	• 10,925 BTU/hr	• 13,650 BTU/hr	• 9560 BTU/hr
Dimensions	size	• (LxWxH): 22.3 x 26.0 x 12.9" (566 x 660 x 328mm)				• (LxWxH): 32.0 x 24.5 x 16.5" (815 x 621 x 419mm)			
	shipping size	• (LxWxH): 33.5 x 30.0 x 26.0" (851 x 762 x 660mm)				• (LxWxH): 41.0 x 32.5 x 29.5" (1041 x 825 x 749mm)			
	weight	• 88lbs (40kg) (without lens)				• 160lbs (72.5kg) (without lens)			
	shipping weight	• 125lbs (57kg)				• 200lbs (91kg)			
Operating environment	• Temperature: 40-104°F (5-40°C) • Humidity: 20-80% non-condensing								
Regulatory approvals	• Regulatory Approvals/Markings: Directives (EC) 2002/95/EC (RoHS); 2002/96/EC (WEEE); Regulation (EC) No. 1907/2006 (REACH) • CAN/CSA C22.2 No. 60950-1 • UL 60950-1 • IEC 60950-1 • FCC, Part 15, Subpart B, Class A • EN55022/CISPR22 Class A • EN55024 / CISPR24 • Certifications marks (check with CDS for latest update): cULus (Canada & US), CE (EU), CCC (China), GoST-R (Russia), KC (Korea), PSE (Japan), C-Tick (Australia & New Zealand), South Africa								
Limited warranty	• Three years parts and labor (including light engine)								

¹ Does not apply to DS+10K-J, HD9K-J. ² Dimensions A, B and C are based on the lens being used.



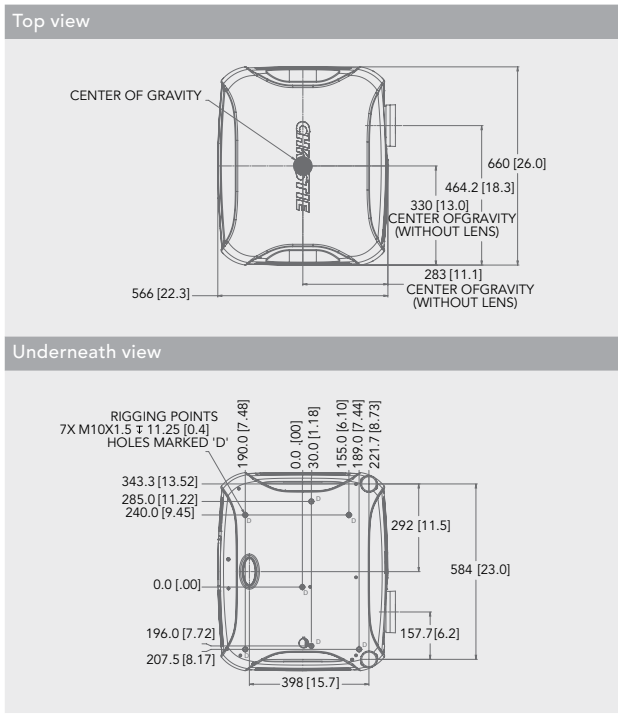
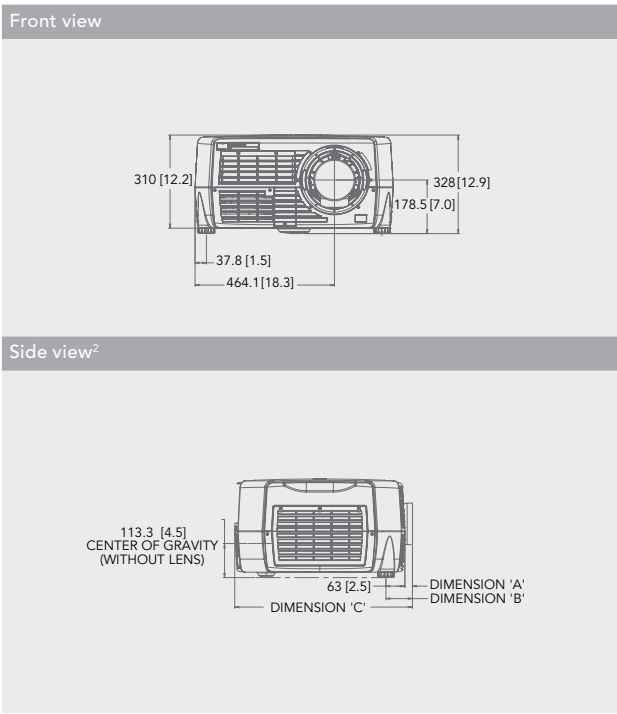
	Description	Part Number
Lamps	1.0kW Cermax® Xenon pre-aligned lamp module	003-120117-XX
	1.2kW Cermax® Xenon pre-aligned lamp module	003-120116-XX
	2.0kW Xenon bubble lamp module	003-120135-XX
	2.0kW Xenon lamp bare bulb kit	03-000887-XX
	2.4kW Xenon bubble lamp module	03-900518-XX
	2.4kW Xenon lamp bare bulb kit	03-000883-XX
	3.0kW Xenon bubble lamp module	003-000306-XX
	3.0kW Xenon lamp bare bulb kit	003-000305-XX
	Bulb alignment tool	38-804900-XX
Input cards	Analog input	108-309101-XX
	Dual link DVI input	108-312101-XX
	Video decoder input	108-310101-XX
	Dual SD/HD-SDI input	108-313101-XX
	Twin HDMI input	108-311101-XX
	DMX512 interface	108-314101-XX
Other	ILS lens adapter kit	108-331108-XX
	Portrait display adapter	118-116109-XX
	CT lens mount	132-111104-XX
	Yellow notch filter	132-110103-XX
	Fog juice filters	132-114107-XX
	Ceiling mount	104-100001-XX
	Ceiling mount extension	104-101001-XX
	Stacking kit	104-117101-XX
	Edge blending kit	104-102101-XX
	Remote IR sensor	104-106101-XX



¹ Dimensions A, B and C are based on the lens being used.

Roadster HD16K-J	Roadster HD20K-J	Roadster WU20K-J
• 14,000 ANSI lumens (15,400 center lumens)	• 18,000 ANSI lumens (20,000 center lumens)	• 18,000 ANSI lumens (20,000 center lumens)
		• 80% brightness uniformity
		• 3-chip 0.96" DMD
		• WU (1920 x 1200)
• 2.4kW Xenon Bubble Lamp Module	• 3.0kW Xenon Bubble Lamp Module	• 3.0kW Xenon Bubble Lamp Module
• 750 hrs	• 750 hrs	• 750 hrs
		• ±112% Vertical
		• ±54% Horizontal
		• (* ±22%V ±6%H)
		• (** ±82%V ±38%H)

• 16A @200V	• 20A @200V	• 20A @200V
• 3200W	• 4000W	• 4000W
• 10,925 BTU/hr	• 13,650 BTU/hr	• 13,650 BTU/hr



Corporate offices

Christie Digital Systems USA, Inc.
USA – Cypress
ph: 714 236 8610

Christie Digital Systems Canada Inc.
Canada – Kitchener
ph: 519 744 8005

Independent sales consultant offices

Italy
ph: +39 (0) 2 9902 1161

South Africa
ph: +27 (0) 317 671 347

Worldwide offices

United Kingdom
ph: +44 (0) 118 977 8000

Germany
ph: +49 2161 664540

France
ph: +33 (0) 1 41 21 44 04

Spain
ph: +34 91 633 9990

Eastern Europe and
Russian Federation
ph: +36 (0) 1 47 48 100

United Arab Emirates
ph: +971 (0) 4 299 7575

India
ph: (080) 41468940

Singapore
ph: +65 6877 8737

China (Shanghai)
ph: +86 21 6278 7708

China (Beijing)
ph: +86 10 6561 0240

Japan (Tokyo)
ph: 81 3 3599 7481

Korea (Seoul)
ph: +82 2 702 1601




ISO 9001
ISO 14001

Kitchener, Ontario



For the most current specification information, please visit www.christiedigital.com

 Copyright 2011 Christie Digital Systems USA, Inc. All rights reserved. All brand names and product names are trademarks, registered trademarks or tradenames of their respective holders. Christie Digital Systems Canada Inc.'s management system is registered to ISO 9001 and ISO 14001. Performance specifications are typical. Due to constant research, specifications are subject to change without notice.
Printed in Canada on recycled paper. 3021 Aug 11

CHRISTIE®